

# HALO C LED

## Downlights



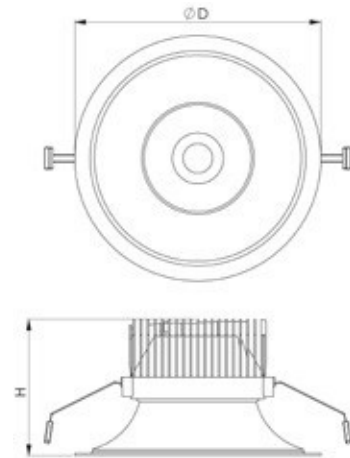
**DESCRIPTION:** Recessed mounted waterproof LED downlight  
**Light distribution type:** direct  
**Optical system:** faceted aluminium reflector, 50°, low glare, tempered glass diffuser, silicon rubber gasket  
**Housing:** aluminium  
**Colour:** white, RAL9016

**GENERAL DATA:** **Mains voltage:** 220-240V, 0/50-60Hz (220-240V, 50-60Hz for model E958)  
**LED lifetime, h:** 60000/L80B10  
**SDCM:** 3  
**Protection class IEC:** II  
**Ingress protection code:** IP65  
**Mechanical impact resistance:** IK05  
**Operating temperature range, °C:** ta -20...+35

**INSTALLATION:** In ceilings with cut-out openings (mounting brackets included). Cable, 0.3m, 2x0.75mm<sup>2</sup>

**ENVIRONMENT:** Indoor

**APPLICATION:** Office, hotel, bathroom, retail, showroom, exhibition, public place



PRODUCT	DIAMETER, mm	HEIGHT, mm	CUT-OUT, mm	LUMINAIRE OUTPUT*, lm	SYSTEM POWER*, W	SYSTEM EFFICACY*, lm/W	CRI	CCT*, K	WEIGHT, kg
HALO C LED1x2450 E956 T840 CLR	225	90	205	2493	19,8	126	80+	4000	1,2
HALO C LED1x3200 E957 T840 CLR	225	90	205	3357	27,1	124	80+	4000	1,2
HALO C LED1x4100 J214 T840 CLR	225	90	205	4211	35,1	120	80+	4000	1,2
HALO C LED1x4600 E958 T840 CLR	225	90	205	4809	42,1	114	80+	4000	1,2

\*Tolerance range for optical and electrical data: ±10%. Values apply to an ambient temperature of 25°C. The manufacturer is constantly developing and improving its products. The right is reserved to change any product specifications without prior notification

**OPTIONS AVAILABLE ON REQUEST:**

LED		CONTROL GEAR	EMERGENCY	COLOUR
T830	T930 NATURAL	DALI	EM3 <sup>1</sup>	RAL
T840	T940 NATURAL		EM3A <sup>1</sup>	
T927 NATURAL			EM3D <sup>1</sup>	

1 Operating temperature range for Luminaires with EM option, °C: ta 0... +35

**STANDARD**

