

VIBE LED

Downlights



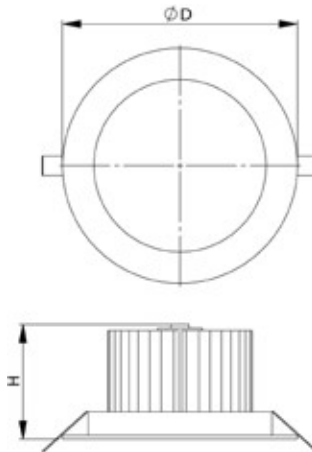
DESCRIPTION: Recessed mounted LED downlight
Light distribution type: direct
Optical system: faceted aluminium reflector, 60°, low glare, clear glass diffuser / opal PMMA diffuser / translucent micro-prismatic PMMA diffuser
Housing: aluminium
Colour: white, RAL9016

GENERAL DATA: **Mains voltage:** 220-240V, 0/50-60Hz
LED lifetime, h: 60000/L80B10
SDCM: 3
Protection class IEC: II
Ingress protection code: IP44
Mechanical impact resistance: IK04
Operating temperature range, °C: ta 0...+35

INSTALLATION: In ceilings with cut-out openings (mounting brackets included). Push-in terminal, 2x1x1.5mm²

ENVIRONMENT: Indoor

APPLICATION: Office, education, hotel, corridor, bathroom, retail, showroom, exhibition, public place



PRODUCT	DIAMETER, mm	HEIGHT, mm	CUT-OUT, mm	LUMINAIRE OUTPUT*, lm	SYSTEM POWER*, W	SYSTEM EFFICACY*, lm/W	CRI	CCT*, K	WEIGHT, kg
VIBE LED1x1900 D329 T840 CLR	195	100	165	1879	13,5	139	80+	4000	0,8
VIBE LED1x2500 D330 T840 CLR	195	100	165	2553	18,7	137	80+	4000	0,8
VIBE LED1x3300 D331 T840 CLR	195	100	165	3437	26,5	130	80+	4000	0,8

*Tolerance range for optical and electrical data: ±10%. Values apply to an ambient temperature of 25°C. The manufacturer is constantly developing and improving its products. The right is reserved to change any product specifications without prior notification

AVAILABLE ACCESSORIES:



Product: VIBE LED diffuser 145mm OP LT80
Description: Opal diffuser with high light transmittance

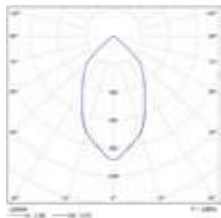


Product: VIBE LED diffuser 145mm MPRZ LT92
Description: Translucent micro-prismatic diffuser with high light transmittance

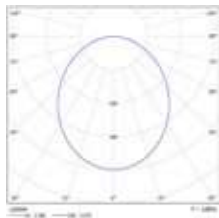
OPTIONS AVAILABLE ON REQUEST:

LED	REFLECTOR AND OPTICS	CONTROL GEAR	EMERGENCY	CONNECTION	COLOUR
T830	OP LT80	DALI	EM3A	WIE3-0.5m	RAL
T840	MPRZ LT92		EM3D	WIE5D-0.5m	
T930	OP TP(a)			QBX2-0.1m	
T940				Europlug-1.5m	
T927 NATURAL				Europlug-3.0m	
T930 NATURAL					
T940 NATURAL					

CLR



OP LT80



MPRZ LT92

